

DATASHEET

DIGITALKEYS NB-IOT SMART PADLOCK

A strong weatherproof padlock, fully integrated with the global mobile IoT network in 45 countries, and with 4 opening methods including the Digital Keys apps and in cloud-based smart access management software.

www.digitalkeys.io

TECHNICAL SPECIFICATIONS DIGITALKEYS NB-IOT SMART PADLOCK



Publications by Digital Keys Ltd are protected by copyright and all rights are reserved.
Digital Keys publications may not be reproduced in any form or in any means without written permission by the copyright owner

TECHNICAL DATA

Housing Dimensions	82mm x 169mm x 47.7
Shackle Length:	67.5mm
Shackle width	8mm
Weight	1.0kg
IP Class	IP67
Certifications	CE, EN, RoHS
Power source	2 18650 Li-on Batteries
Number of openings	5 a day for 5 years (ave.)
Maximum events/users	Unlimited
Environmental Conditions:	-35C - +65C

COMMUNICATION TECHNOLOGIES

NB-IoT	*
LTE-M	*
CAT-M	*
3G/4G	*
NFC (MIFARE)	*

TECHNOLOGY PLATFORMS

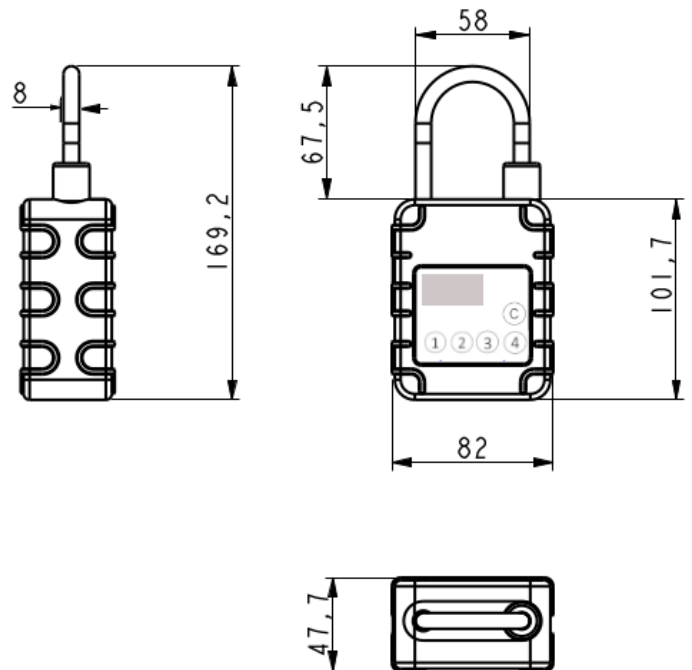
Smart Access Management Software by Digital Keys	*
Ericsson IoT Accelerator	*
AWS IoT Core	*
Digitalkeys apps	*
SIM Provisioning Platform^	*

^With various Mobile Network Operators and with various Mobile Network Virtual Operators

OPENING METHODS

Digital Keys App over mobile IoT network	*
Digital Keys App over NFC (NFC phones)	*
Smart Access Cloud-based Software	*
Time-sensitive PIN	*
NFC MIFARE keycards	*

TECHNICAL DRAWING



FINISHES

Stainless Steel Housing (black)	*
Armoured glass numberpad	*
Weatherproof Rubber cover	*
Stainless Steel Shackle	*

MAIN MATERIALS

Module/Modem	Telit 310G1WW
iSIM card	micro
Cellular Protocols	MQTT, UDP, COAP, TCP
Antenna	CrossAir CA-G01
GNSS (GPS)	Telit 310G1WW

SECURITY AND ENCRYPTION

Mobile network encryption features	*
AWS Security features	*
HTTP encryption	Military grade 256 Bit
Chipset security	2048 Bit RSA encryption
IPSEC Security	*
Private VPN/APN	*