

DATASHEET

DIGITALKEYS 5G IoT SMART PADLOCK

A strong weatherproof (IP67) padlock with a connection to the global 5G IoT network in over 85 countries. Includes digital keys apps, smart access management software and 5 opening methods.

www.digitalkeys.io

TECHNICAL SPECIFICATIONS DIGITALKEYS 5G IOT SMART PADLOCK



Publications by Digital Keys Ltd are protected by copyright and all rights are reserved.
Digital Keys publications may not be reproduced in any form or in any means without written permission by the copyright owner

TECHNICAL DATA

| | |
|----------------------------------|----------------------------|
| Housing Dimensions | 82mm x 169mm x 47.7 |
| Shackle Length: | 67.5mm |
| Shackle width | 8mm |
| Weight | 1.0kg |
| IP Class | IP67 |
| Certifications | CE, EN, RoHS |
| Power source | 2 18650 Li-on Batteries |
| Number of openings | 5 a day for 5 years (ave.) |
| Maximum events/users | Unlimited |
| Environmental Conditions: | -35C - +65C |

COMMUNICATION TECHNOLOGIES

| | |
|--------------|---|
| NB-IoT | * |
| LTE-M | * |
| CAT-M | * |
| 3G/4G | * |
| NFC (MIFARE) | * |

TECHNOLOGY PLATFORMS

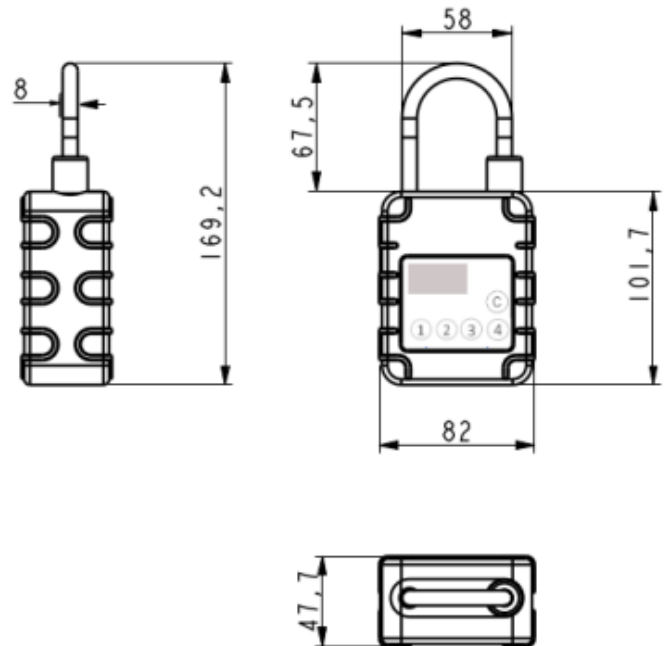
| | |
|--|---|
| Smart Access Management Software by Digital Keys | * |
| Ericsson IoT Accelerator | * |
| AWS IoT Core | * |
| Digitalkeys apps | * |
| SIM Provisioning Platform^ | * |

^With various Mobile Network Operators and with various Mobile Network Virtual Operators

OPENING METHODS

| | |
|--|---|
| Digital Keys App over mobile IoT network | * |
| Digital Keys App over NFC (NFC phones) | * |
| Smart Access Cloud-based Software | * |
| Time-sensitive PIN | * |
| NFC MIFARE keycards | * |

TECHNICAL DRAWING



FINISHES

| | |
|---------------------------------|---|
| Stainless Steel Housing (black) | * |
| Armoured glass numberpad | * |
| Weatherproof Rubber cover | * |
| Stainless Steel Shackle | * |

MAIN MATERIALS

| | |
|--------------------|----------------------|
| Module/Modem | Telit 310G1WW |
| iSIM card | micro |
| Cellular Protocols | MQTT, UDP, COAP, TCP |
| Antenna | CrossAir CA-G01 |
| GNSS (GPS) | Telit 310G1WW |

SECURITY AND ENCRYPTION

| | |
|------------------------------------|-------------------------|
| Mobile network encryption features | * |
| AWS Security features | * |
| HTTP encryption | Military grade 256 Bit |
| Chipset security | 2048 Bit RSA encryption |
| IPSEC Security | * |
| Private VPN/APN | * |