

# DATASHEET

## DIGITAL KEYS 5G IoT SMART DOORLOCK LATCH 1

A strong weatherproof doorlock with latch, fully integrated with the global 5G IoT network in 40 countries, and with 5 opening methods including the Digital Keys apps and with cloud-based smart access management software.

[www.digitalkeys.io](http://www.digitalkeys.io)

### TECHNICAL SPECIFICATIONS



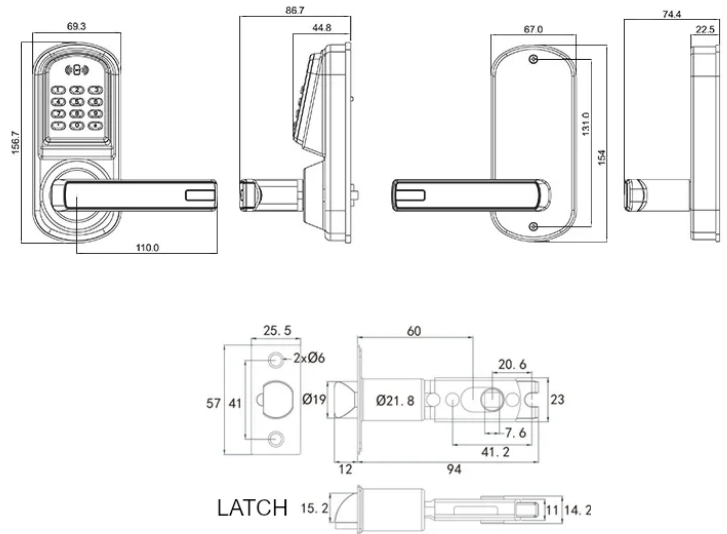
DIGITAL  
**KEYS**



**TECHNICAL DATA**

<b>Lock casing Dimensions</b>	L 156.7mm x W 69.3mm x B 22.5mm
<b>Weight</b>	2.0kg
<b>IP Class</b>	IP67
<b>Certifications</b>	CE, EN, RoHS
<b>Power source</b>	3 18650 Li-on Batteries
<b>Number of openings</b>	5 a day for 5 years (ave.)
<b>Maximum events/users</b>	Unlimited
<b>Environmental Conditions:</b>	-35C - +65C

**TECHNICAL DRAWING**



**COMMUNICATION TECHNOLOGIES**

<b>NB-IoT</b>	*
<b>LTE-M</b>	*
<b>CAT-M</b>	*
<b>3G/4G</b>	*
<b>NFC (MIFARE)</b>	*

**TECHNOLOGY PLATFORMS**

<b>Smart Access Management Software by Digital Keys</b>	*
<b>AWS hosting IoT platform</b>	*
<b>Digitalkeys apps</b>	*
<b>SIM Provisioning Platform integrated^</b>	*

^With various Mobile Network Operators and with various Mobile Network Virtual Operators

**OPENING METHODS**

<b>Digital Keys App over 5G IoT network</b>	*
<b>Digital Keys App with NFC (NFC phones)</b>	*
<b>Smart Access Cloud-based Software (remote unlock button)</b>	*
<b>Time-sensitive PIN</b>	*
<b>NFC MIFARE keycards</b>	*

**FINISHES**

<b>Zinc alloy Housing (black)</b>	*
<b>Raised physical buttons on hardened plastic numberpad</b>	*
<b>Metal key over-ride in handle (slide to reveal)</b>	*

**MAIN MATERIALS**

<b>Module/Modem</b>	Telit 310G1WW
<b>IoT SIM card</b>	micro
<b>Cellular Protocols</b>	MQTT, UDP, COAP, TCP
<b>Antenna</b>	CrossAir CA-G01
<b>GNSS (GPS)</b>	Telit 310G1WW

**SECURITY AND ENCRYPTION**

<b>Mobile network encryption features</b>	*
<b>AWS Security features</b>	*
<b>HTTP encryption</b>	Military grade 256 Bit
<b>Chipset security</b>	2048 Bit RSA encryption
<b>IPSEC Security</b>	*
<b>Private VPN/APN</b>	*